



## The undisputed leader in door accessory hardware.

For more than 120 years Ives has produced a full line of top quality building hardware that delivers the utmost application flexibility and superior value. With a focus on product quality and world-class customer service, we give our customers exactly what they need for a tough, durable, attractive and complete door solution.

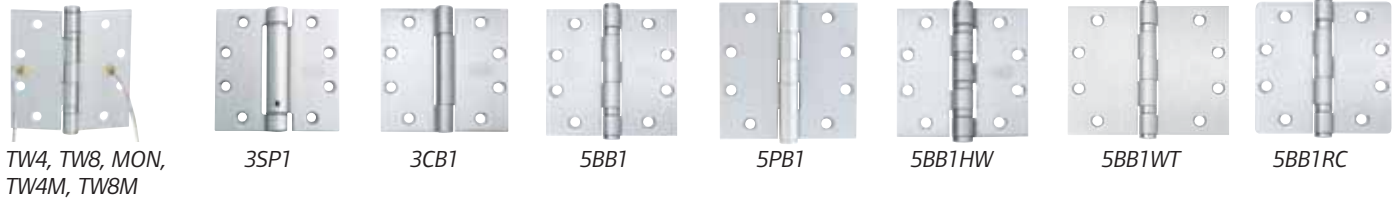
All our products are available in a full complement of architectural finishes that match Schlage, Dexter by Schlage and Falcon hardware.

## Contents

Architectural Hinges	Door Trim and Pulls
Continuous Hinges	Push Plates
Pivots	Door Protection Plates
Manual Flush Bolts	Stops
Automatic Flush Bolts	Roller Latches and Catches
Constant Latch Flush Bolts	Surface Bolts
Dust-Proof Strikes	Lock Guards
Coordinators	Architectural Hardware Finishes
Vandal-Resistant Trim	

## ARCHITECTURAL HINGES

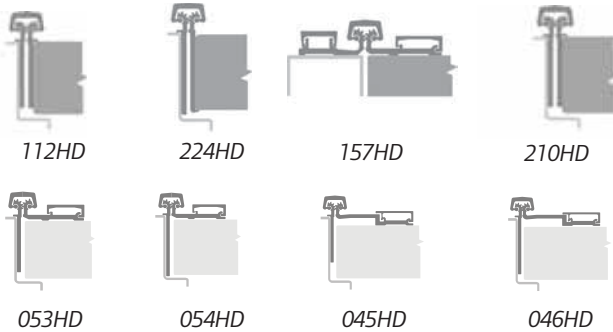
Ives offers a variety of standard and heavy-duty hinges in three-knuckle plain bearing, spring hinge, concealed bearing and heavy-weight concealed-bearing configurations, as well as five-knuckle ball bearing, plain bearing, swing clear and ball bearing heavy-weight designs and electrified hinges.



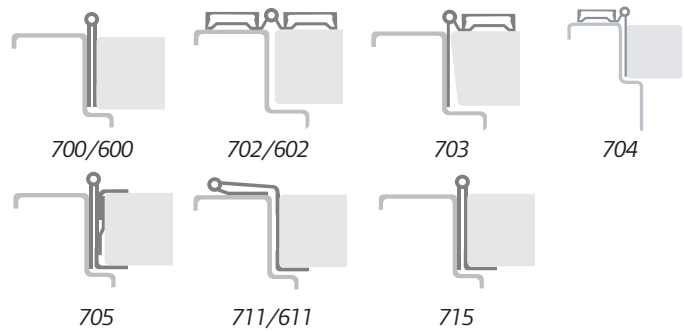
## CONTINUOUS HINGES

Ives Continuous Hinges are designed to last the life of the building. Their unique design distributes the weight of the door uniformly along the entire length of the frame, keeping the door in constant alignment. By eliminating the gap between the door and the frame, Ives continuous hinges help avoid pinched fingers and create an effective barrier to sound and weather. These benefits result in higher efficiency and less maintenance, maximizing the value of your opening investment. Aesthetically, continuous hinges provide a clean look in new construction or aftermarket applications.

### GEARED



### PIN AND BARREL



## PIVOTS

Ives pivots offer an attractive way to hang high traffic interior or exterior doors. Because the weight of the door is supported by the floor, pivots are also an excellent choice for very heavy doors.

Ives 7200 Series Pivots:

- Available for 3/4" (19mm) offset, 1-1/2" (38mm) offset, and center-hung applications.
- Brass and stainless steel models available in a wide range of plated and powder-coated finishes.
- Fire-rated models with the "F" suffix are rated for three-hour labeled fire doors.
- Precision bearings ensure smooth operation.
- Positive locking vertical adjustment mechanism allows the installer to precisely position the door and balance the load.

Also available: 91105F Pocket Pivot





## MANUAL FLUSH BOLT

- UL/cUL Listed extension flush bolts.
- FB358 is for use as top and bottom flush bolt to secure inactive leaf of a pair of swinging fire doors not exceeding 1-1/2 hour fire rating and 10' (254mm) in height.
- FB457 and FB458 brass models are for use on all types of labeled metal fire doors not exceeding three-hour fire rating and 10' (254mm) in height.

## FB30/FB40 SERIES AUTOMATIC FLUSH BOLTS

- FB31P for hollow metal doors. Pair contains FB31T top bolt and FB31B bottom bolt. Non-handed. Top and bottom bolts not identical. Top bolt has no spring tension, minimizing the actuation force and providing a smooth, easy operation.
- FB32 consists of FB31T top bolt and an auxiliary fire latch which replaces the bottom bolt, eliminating floor prep and reducing required door prep. Auxiliary fire latch, mounted in the door edge, releases under extremely high temperatures to keep doors in alignment during a fire.
- FB31P and FB32 are UL/cUL Listed for pairs of metal fire doors rated up to three hours.
- FB33 updates existing flush bolt installations with auxiliary fire latch, eliminating bottom bolt and floor strike. FB33 consists of FB31T top bolt, auxiliary fire latch and filler plate to cover existing cutout when bottom bolt is removed.
- FB41P is UL/cUL Listed for pairs of wood fire doors rated up to 1-1/2 hours.
- FB41P for wood doors. Pair contains FB41T top bolt and FB41 bottom bolt. Non-handed. Top and bottom bolts not identical. Similar to FB31T design, FB41T top bolt has no spring tension and provides a significantly reduced activation force.
- FB42 is UL/cUL Listed for pairs of wood fire doors rated at 20 minutes.
- FB42 model consists of an FB41T top bolt and an auxiliary fire latch. This combination greatly reduces door prep and eliminates field problems caused by door warpage or changes in field conditions.

## FB50/FB60 SERIES CONSTANT LATCH FLUSH BOLTS

- FB51P and FB61P Series incorporate a constant latching top bolt with automatic bottom bolt. FB51P models are UL/cUL Listed for use on pairs of metal fire doors rated up to three hours, while FB61P models are UL/cUL Listed for use on wood doors with ratings up to 1-1/2 hours.
- Bottom bolts identical to FB31P/FB41P models. Top bolts are designed to remain engaged until manually retracted. Inactive door automatically latched when closed.
- FB51P for hollow metal doors. Combines FB51T constant latching top bolt with FB31B automatic bottom bolt. Non-handed. FB52 combination includes FB51T top bolt and auxiliary fire latch, reducing door prep and eliminating floor prep.
- FB52 is UL/cUL Listed for pairs of metal fire doors rated up to three hours.
- FB53 used to update existing flush bolt installations with auxiliary fire latch, eliminating bottom bolt and floor strike. FB53 consists of FB51T top bolt, auxiliary fire latch and filler plate to cover existing cutout when bottom bolt is removed.
- FB61P is UL/cUL Listed for pairs of wood fire doors rated up to 1-1/2 hours.
- FB61P for wood doors. Combines FB61T constant latching top bolt with FB41B bottom bolt. FB62 combination includes FB61T top bolt with auxiliary fire latch. Non-handed. Significantly reduces door prep.
- FB62 is UL/cUL Listed for pairs of wood fire doors rated at 20 minutes.



## DUST PROOF STRIKES

- DP1 and DP2 are designed for use with the bottom bolt of all Ives flush bolts.
- Spring-loaded plunger returns flush to floor or threshold level anytime flush bolt is retracted, eliminating need to clean standard floor strikes.



DP1

DP2

## COR SERIES

COR Series coordinators are designed to coordinate the closing of a pair of doors. Mounted on the stop strip, the active door level holds the active door open until the inactive door closes, allowing the active door to close. Structural steel components are housed in a durable aluminum channel.

- All units feature adjustable holding power override feature which prevents damage to doors and frames, and are compatible with Ives flush bolts. Units are available with filler bars designed to cover the remaining portion of the stop strip.

- UL/cUL Listed for use on pairs of fire doors and have passed rigid testing, far exceeding industry standards.
- Allows stop-mounted hardware to be properly installed without damaging the COR Series coordinator.



COR32, COR42, COR52, COR60, COR72

## COR7G/COR9G

- Brass construction; gravity action arm provides effective coordination for door pairs with astragals on either or both doors.
- Both versions are UL Listed for use on pairs of labeled fire doors.
- The COR7G projects 7" (177.8mm); the COR9G projects 9" (228.6mm).



COR7G-7" Arm

COR9G-9" Arm

## CBI CARRY BAR

- For installations where it is possible to open the inactive door before the active door.
- The carry bar, mounted on the inactive door, prevents damage to the doors and other hardware; nylon roller ensures quiet operation.



CB1

## VANDAL-RESISTANT TRIM



VR800/VR900-Series for exterior openings where vandalism and abuse are a concern.

- Stainless steel construction.
- For use with most mortise locks.
- UR900 Series for use with most mortise locks and Von Duprin 98/99 Series devices.
- UR800 Series for use with most mortise locks and Falcon 18 Series devices.

## 8100 DOOR PULLS



8103-8  
8103-0  
8103-2

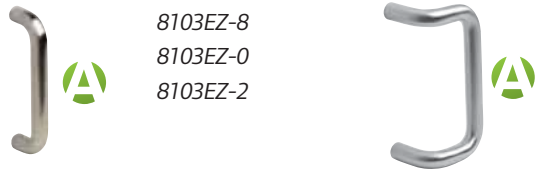
8105-6  
8105-8  
8105-0

8112-5

8102-6  
8102-8  
8102-0

- Finished with standard type fasteners for 1-3/4" thick doors; other sizes and mounting methods also available.

## 8103EZ & 8190 DOOR PULLS



8103EZ-8  
8103EZ-0  
8103EZ-2

8190-8  
8190-0  
8190-2  
8190-18

- 8103EZ - 2-1/2" clearance for physically impaired.
- Pulls are available with pushbars.
- Finished with standard type fasteners for 1-3/4" thick doors; other sizes and mounting methods also available.
- Conforms to ANSI A156.6.

## 8300 DOOR PULLS



8302-6  
8302-8  
8302-0

8303-8  
8303-0

8305-6  
8305-8  
8305-0

8311-5

- Pulls and pull plates have uniform finish lines and special mounting methods available.
- Optional CFC or CFT; conforms to ANSI A156.6.

## 8200 PULL-PUSH PLATES




8200 Pull plate

- Optional CFC (cut for cylinder) or CFT (cut for thumbturn).
- All brass, bronze, stainless steel and aluminum push plates conform to ANSI A156.6.



## 8400 DOOR PROTECTION PLATES

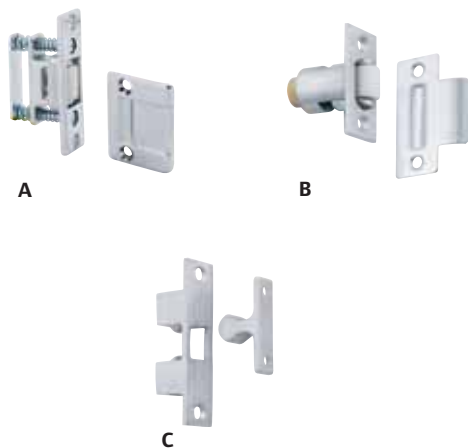
- Protection plates can be made with brass, bronze, stainless steel or aluminum, as well as 1/8" (3mm) thick clear acrylic plastic, black or brown high-impact polyethylene.
- All brass, bronze, stainless steel and aluminum conform to ANSI A156.6.

 = Antimicrobial Coating Available

## STOPS

Ives offers a range of floor- and wall-mounted door stops and holders. A wide variety of styles and functions, available in numerous materials and finishes, solve most door control problems. All units are manufactured to the highest standards of quality and designed to discourage vandalism, while maintaining an attractive and sleek appearance. Here's a sampling of some of Ives' stops and holders:

- |   |  |   |
|---|--|---|
| A. WS406CVX, WS406CCV, WS407CVX, WS407CCV<br>Wall Bumpers | Ea. FS18S Security Door Stop<br>Eb. FS18L Security Door Stop | H. FS434 Floor Stop<br>I. FS40-Series Automatic Holders |
| B. WS443, WS447 Heavy Duty Wall Bumper                    | F. FS444, FS448 Heavy Duty Floor Stop                        | J. RB470 Roller Bumper                                  |
| C. FS436 Dome Stop  | G. FS446, FS450 Heavy Duty Floor Stop and Holder             | K. FS452 Kick Down Holder                               |
| D. WS445, WS449 Heavy Duty Wall Stop and Holder           |  |   |



## ROLLER LATCHES AND CATCHES

Ives roller latches are available in a variety of materials and finishes, providing attractive and dependable solutions for numerous applications.

### A. RL30 Roller Latch

Brass or bronze units feature silent rubber roller (nylon or nylon-covered brass rollers optional) and are available with standard 2-1/4" (57.2mm) x 1-11/16" (42.9mm) strike or 4-7/8" (123.8mm) ASA strike (suffix A). Projection of roller is easily adjusted by way of adjusting screws on face of unit.

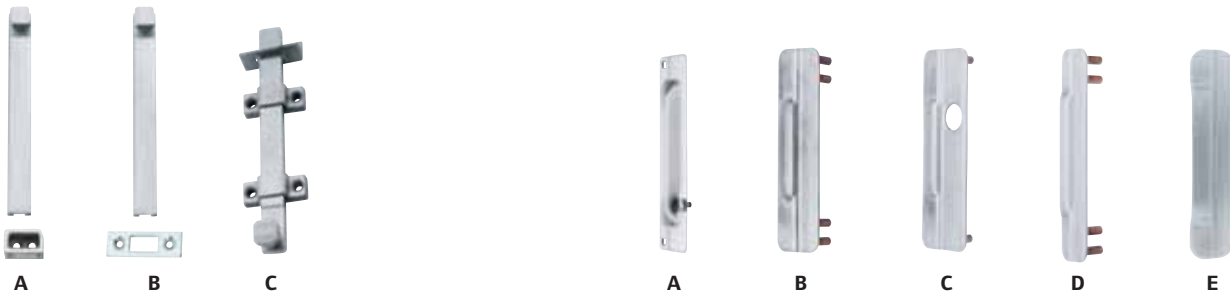
### B. RL32 Roller Latch

Available in brass, bronze or stainless steel and is designed to fit a heavy-duty cylindrical lock mortise. Units feature silent rubber roller (nylon or nylon covered brass rollers optional) and are available with standard 2-3/4" (69.9mm) x 1-1/8" (28.6mm) strike or 4-7/8" (123.8mm) ASA strike (suffix A). Knurled nut on back of latch provides easy adjustment of roller projection.

### C. CL21A

Ideal for holding closet doors, access doors or other medium-duty hinged openings.

## Surface Bolts/Lock Guards



### SURFACE BOLTS

Ives Surface Bolts provide maximum security on virtually any style door. Featuring 1" throw, models are available in top or bottom mount versions.

- A. SB1630B (203.2mm) bolt with bottom strike [SB1630T (203.2mm) unit with top strike (not shown)]
- B. SB1630TL (203.2mm) locking bolt with top strike [SB1630BL (203.2mm) unit with bottom strike (not shown)]
- C. 453/454 surface bolts for maximum security

### LOCK GUARDS

LG Series lock guards are available in five styles and the most popular finishes. All models are designed to cover the latchbolt area of the door and frame, providing added protection from vandalism or normal abuse. All units feature heavy-gauge construction.

- A. LG1 - ideal for use with mortise or cylindrical locks
- B. LG10 - ideal for use with rose or escutcheon 2-3/4" (69.9mm) wide or less
- C. LG11 - for aluminum doors with latch type locks or doors equipped with electric strikes
- D. LG12 - narrow design for use on rose or escutcheon 3-1/2" (88.9mm) or less (type 86 mortise and 161 cylindrical locks)
- E. LG13 - compact design ideal for use on type 161 cylindrical locks, monolock and UNI lock

## Ives Architectural Hardware Finishes

Description	US Number	BHMA (Steel)	Brass/ Bronze	Stainless Steel
Primed for Painting	USP	600		
Bright Brass	US3	632	605	
Satin Brass	US4	633	606	
Satin Bronze	US10	639	612	
Oil Rubbed Bronze	US10B	640	613	
Satin Nickel	US15	646	619	
Bright Chromium	US26	651	625	
Satin Chromium	US26D	652	626	
Bright Stainless Steel	US32			629
Satin Stainless Steel	US32D			630

IVES Adheres to the BHMA Finish Guideline designations.  
B.H.M.A SYMBOL BASE MATERIAL



Some items may not be available in all finishes.