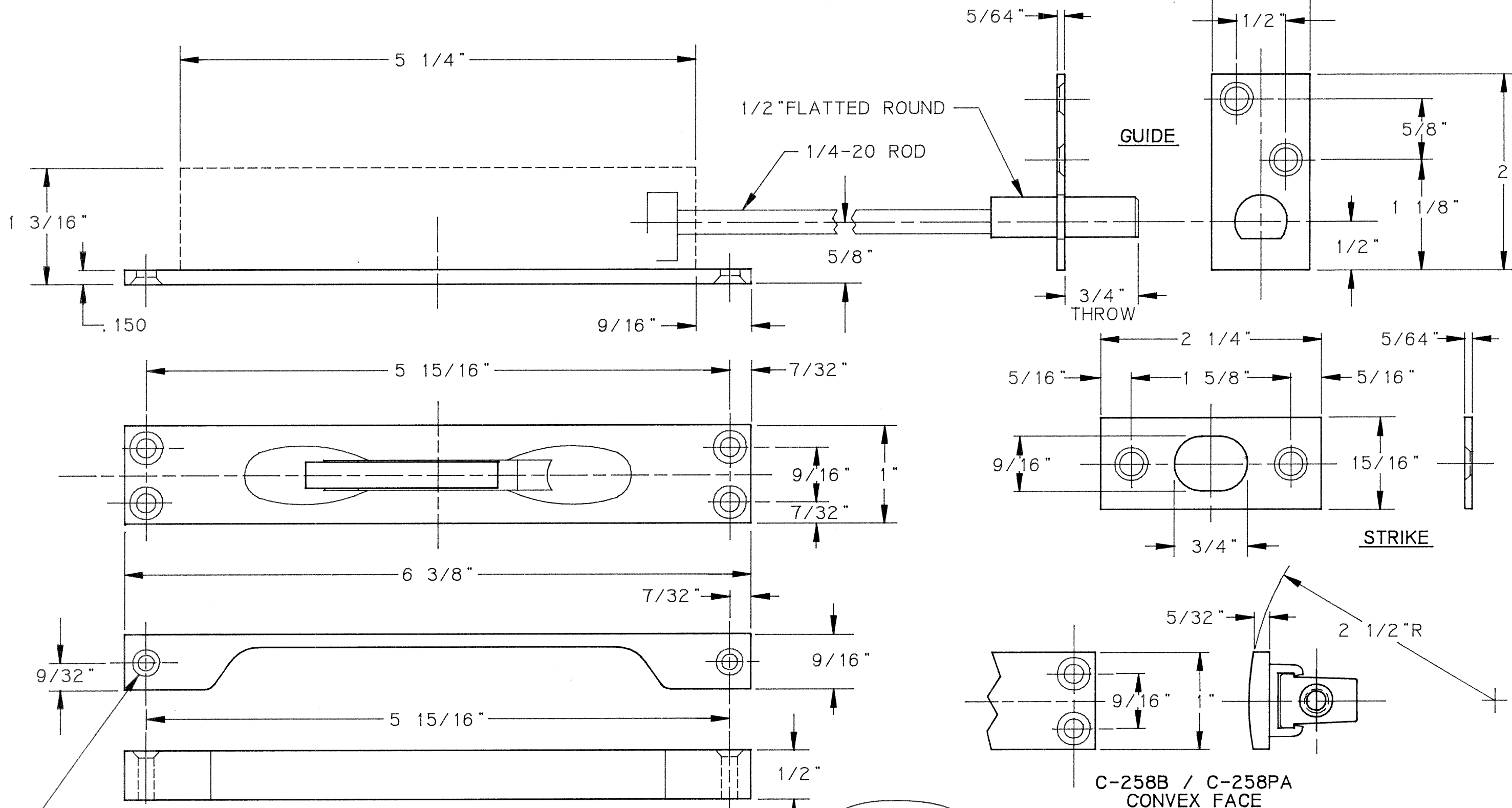


TEMPLATE DRAWING

DWG # 2280 A
Rev A, new drawing #
10/5/99

ALL SCREWS #8-32 X 1"FH COMBINATION WOOD SCREWS



248 RABBET

#6 X 1 1/2"
FH WOOD SCREW



258B/258PA EXTENSION FLUSH BOLT AND RABBET

HB258123 (FJH DISK #9)

TEMPLATE NO. HB-258-123

H.B. IVES

DRAWN BY: FJ HARRIS

DATE: 11-9-94

P.O. BOX 1887, NEW HAVEN, CONN. 06508