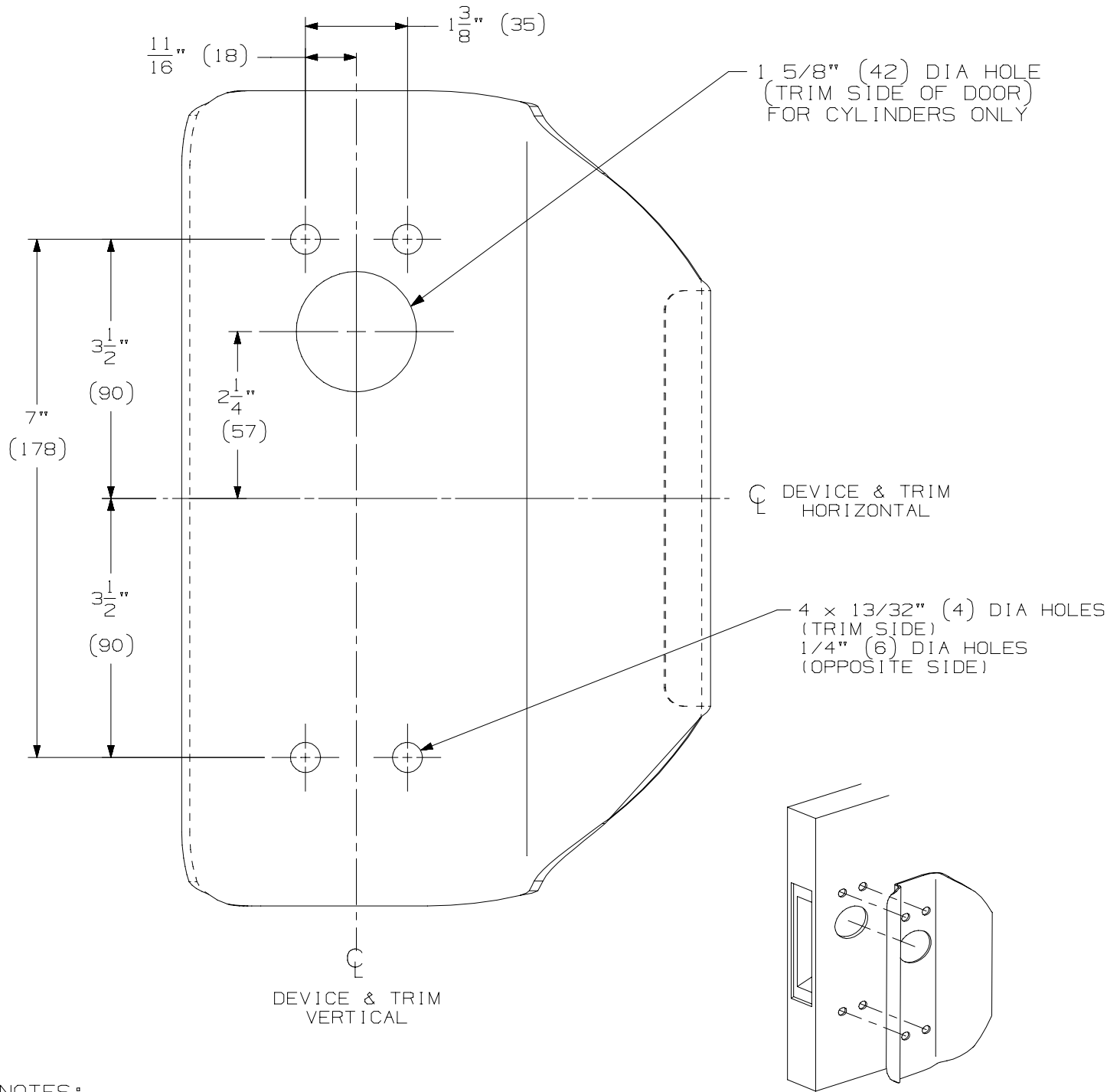


OUTSIDE FACE
OF LOCK STILE RHR SHOWN
LHR OPPOSITE



NOTES:

1. PREPARE PUSH SIDE OF DOOR FOR EXIT DEVICE.
SEE EXIT DEVICE INSTRUCTIONS FOR PREPARATION.
2. PREPARE PULL SIDE OF DOOR FOR TRIM.
 - A. TRANSFER VERTICAL AND HORIZONTAL DEVICE CENTER LINES FROM
PUSH SIDE OF DOOR TO PULL SIDE.
 - B. LOCATE AND PREPARE ALL HOLES AS INDICATED ABOVE.



VR910M VANDAL RESISTANT TRIM
FOR USE WITH MORTISE DEVICES



NOTE: DIMENSIONS IN () ARE MILLIMETERS.

TEMPLATE NUMBER: INST. VR910M_0

DATE: 04-23-02