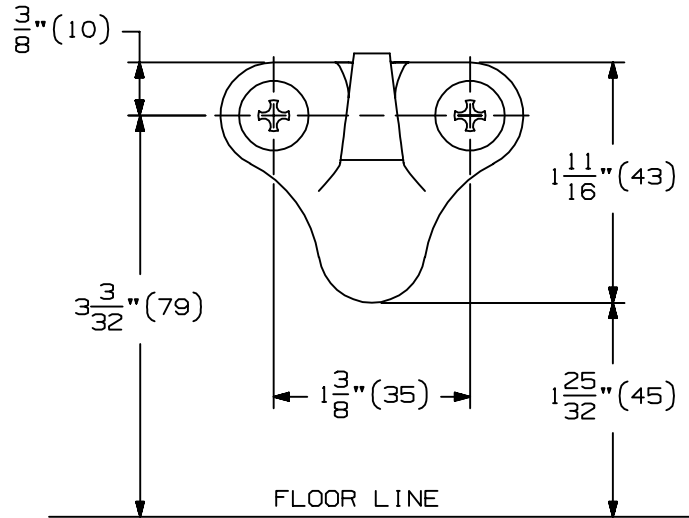


BASE



STRIKE

**INSTRUCTIONS:**

1. OPEN DOOR TO DESIRED POSITION.
2. PLACE STRIKE AND HOLDER AS ILLUSTRATED.
3. LOCATE THE MOUNTING HOLES.
4. PREPARE MOUNTING HOLES AS NECESSARY.
5. INSTALL BODY AND STRIKE.

**NOTES:**

1. METAL DOORS SHOULD BE PROPERLY REINFORCED WITH  $\frac{3}{16}$ " (5) MINIMUM THICKNESS PLATE.

	QTY	SCREW DETAILS
BODY	1	1/2"-13 THREADED STUD
	1	LEAD EXPANSION SHIELD
	1	#14 X 1-1/2" FPHSMS
	1	PLASTIC EXPANSION SHIELD
STRIKE	2	#14 X 1-1/2" FPHSMS



FS9 SEMI-AUTOMATIC FLOOR  
HOLDER INSTALLATION INSTRUCTIONS



NOTE: DIMENSIONS IN ( ) ARE MILLIMETERS.

TEMPLATE  
NUMBER:

INST.FS9\_0

DATE:  
09-01-01