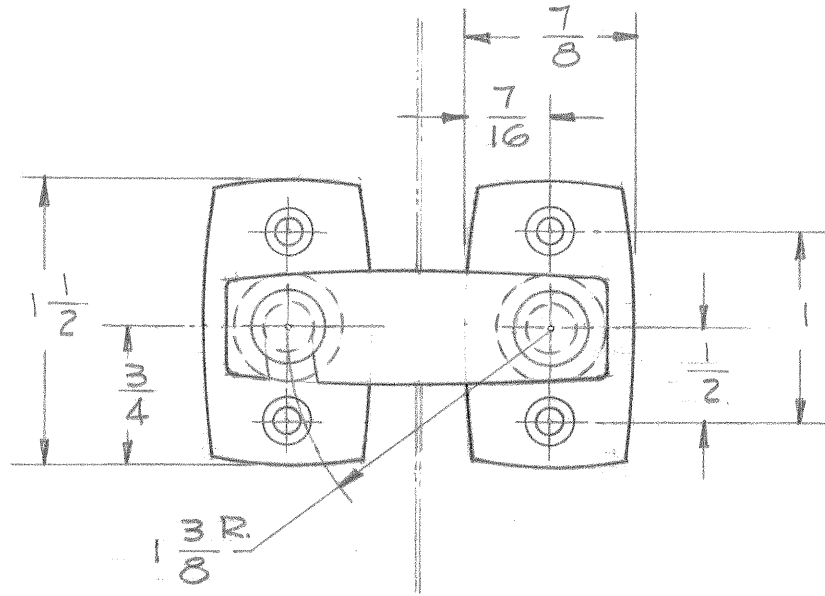


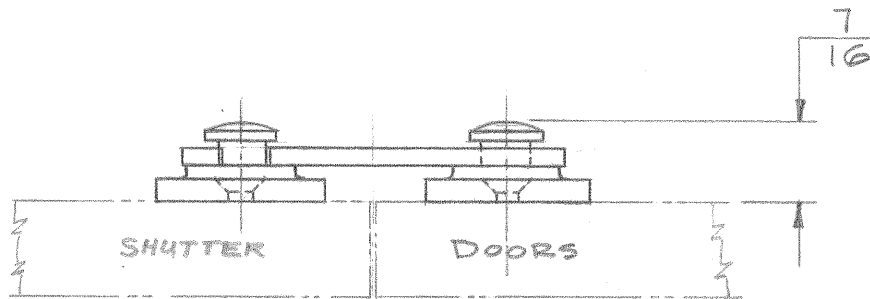
TEMPLATE DRAWING

DWG. N^o 608



ON THE 31

USE (4) $\frac{3}{4} \times \#6$ SCR. - OVAL
PHILLIPS HD. WOOD SCR.



MATL: BRASS CASTING.

N^o 31 SHUTTER LATCH.

LETTER	CHANGE	DATE
A		
B		
C		

R.H.C. 12-10-63 FULL SIZE

IVES DIVISION
LEIGH PRODUCTS, INC.
P. O. BOX 1887, NEW HAVEN, CONN. 06508